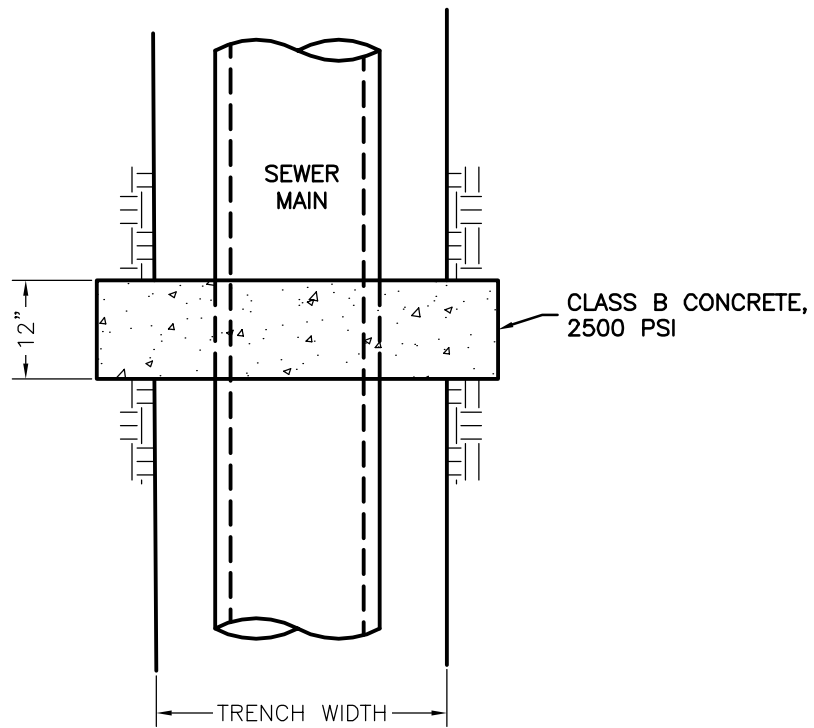


SECTION



PLAN

DATE: 3/1/14

CITY OF REIDSVILLE

STANDARD ANTI-SEEP PIPE COLLAR
FOR SEWER LINES

STD. NO.

REV.

219