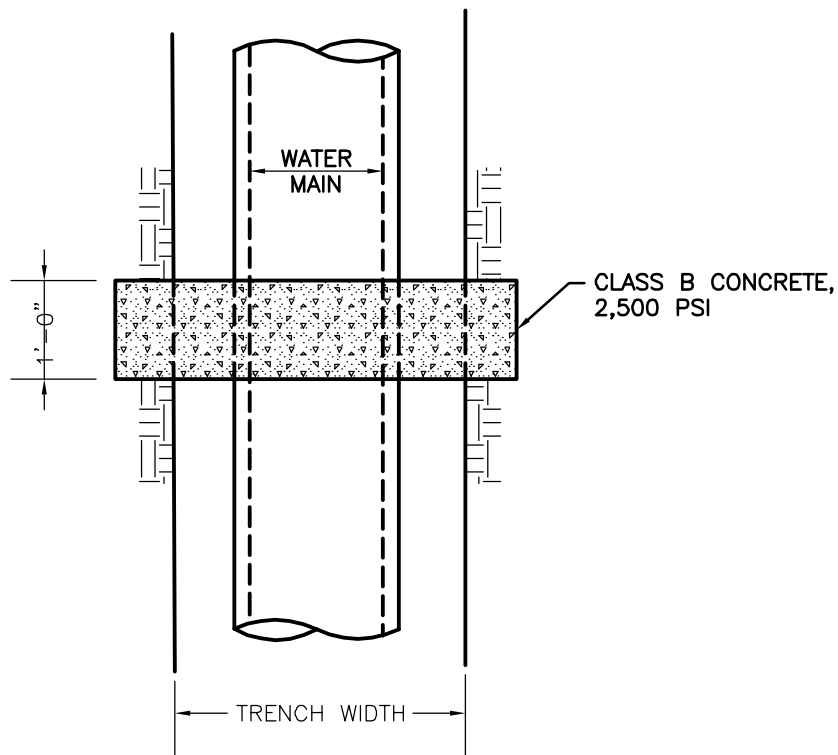


SECTION



PLAN

DATE: 3/1/14

CITY OF REIDSVILLE

STANDARD ANTI-SEEP PIPE COLLAR  
FOR WATER MAINS

STD. NO.

REV.

117