

SECTION A-A

NOTES:

ON NEW INSTALLATION A MAX. OF TWO GRADE RINGS SHALL BE USED. (EXCEPT ON OUTFALL, USE WATERTIGHT RING & COVER).

CONCRETE SHALL BE CLASS AA, 4,000 PSI AS PER ASTM C-478.

STEEL REINFORCING SHALL MEET ASTM C-185 (4' DIA) OD ASTM C-478 (5' DIA).

MANHOLES OVER 3'-6" IN DEPTH SHALL BE PROVIDED WITH STEPS 16" ON CENTERS STEPS SHALL BE IN ACCORDANCE W/ C.O.R. STD. #206.

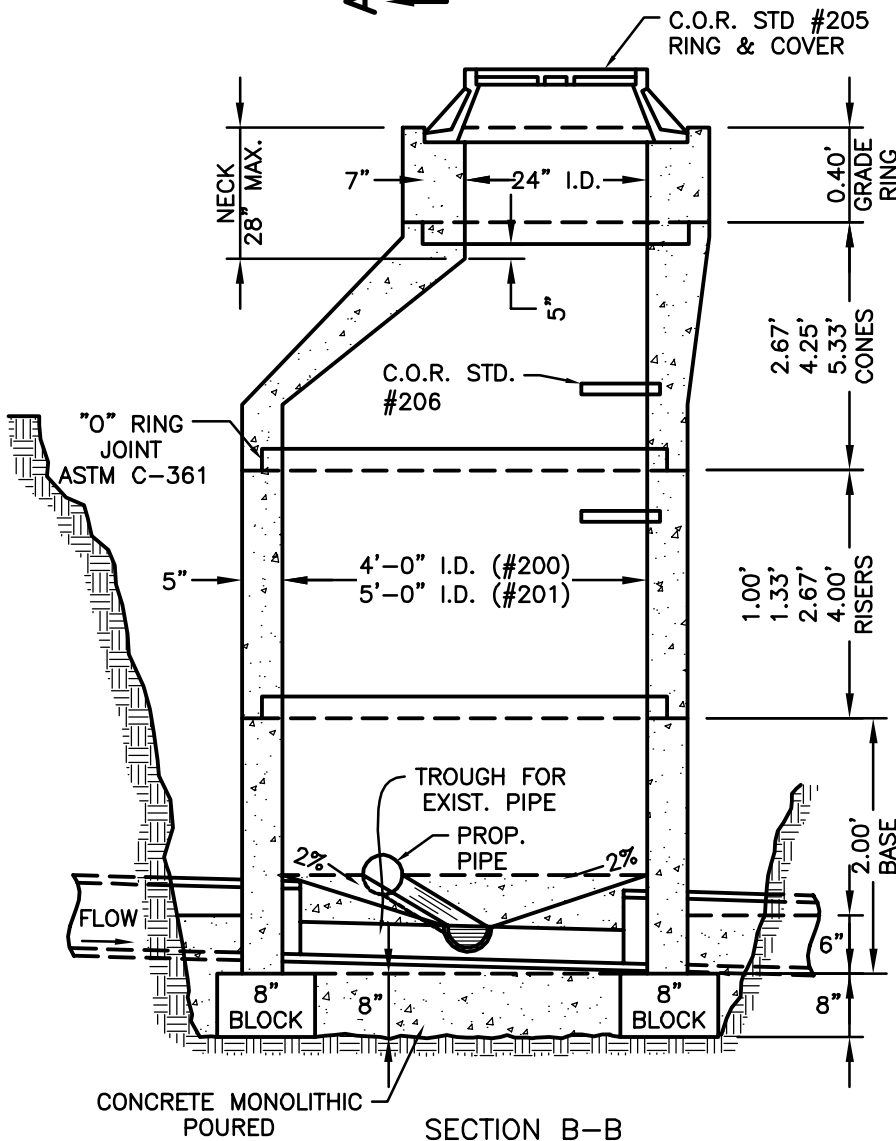
8" CLASS "AA" CONCRETE UNDER M.H. PORTIONS OF THE INVERT CAN BE POURED AT THE SAME TIME. BOTTOM SHOULD EXTEND A MIN. OF 6" BEYOND THE M.H. BASE.

VACUUM TEST REQUIRED ON ALL INSTALLATIONS PRIOR TO PUTTING MANHOLE INTO SERVICE.

**MANHOLES**  
(MAX. PIPE O.D.)

MH DIA.	45° DEFL.	90° DEFL.
4'	31-1/2"	25"
5'	42"	32"
6'	51"	38"

\* PRECAST INVERT (OPTIONAL)



SECTION B-B

**CITY OF REIDSVILLE**

STANDARD 4' I.D. & 5' I.D.  
ECCENTRIC PRECAST BOTTOMLESS MANHOLE OVER  
EXISTING SANITARY SEWER (DOGHOUSE MANHOLE)

STD. NO.	REV.
200	
201	