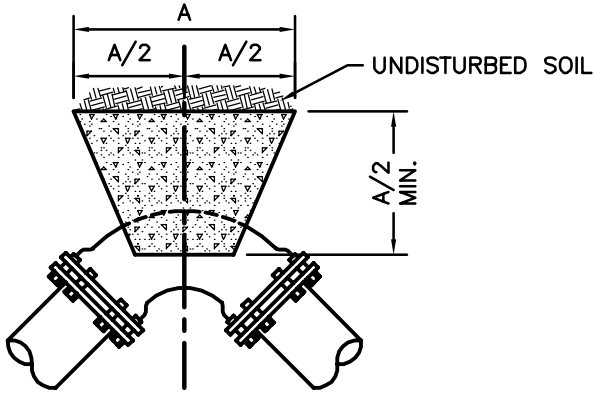
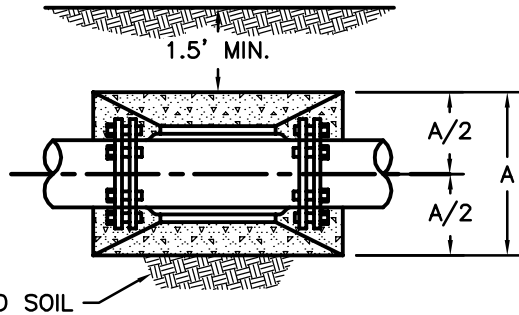


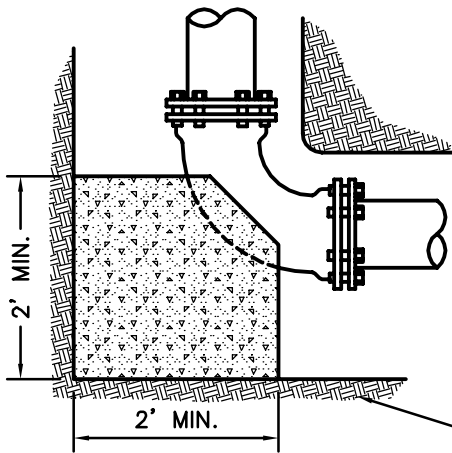
CONCRETE THRUST BLOCKS



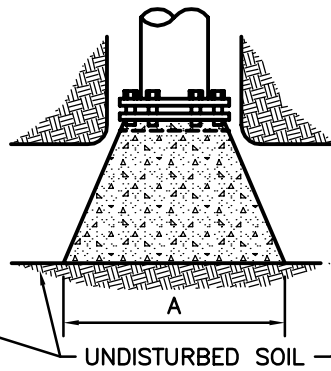
BEND
PLAN VIEW



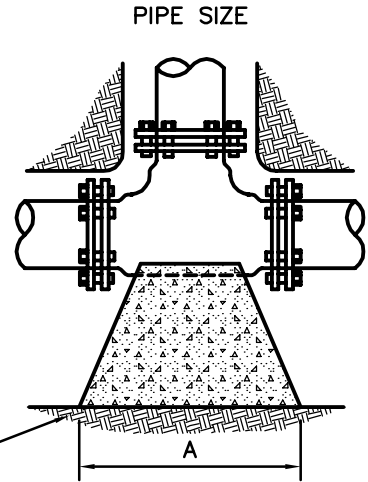
SECTION FOR ALL FITTINGS



HYDRANT BASE
(SECTION VIEW)



PLUG
(PLAN VIEW)



TEE
(PLAN VIEW)

MINIMUM "A" DIMENSION (FEET)											
FITTING	PIPE SIZE (INCHES)										
	6	8	10	12	14	16	18	20	24	30	36
90° BEND	2.2	2.9	3.6	4.3	5.0	5.6	6.3	7.0	8.4	10.5	12.5
45° BEND	1.6	2.1	2.6	3.1	3.7	4.2	4.7	5.2	6.2	7.7	9.2
22.5° BEND	1.2	1.5	1.9	2.3	2.6	3.0	3.4	3.7	4.5	5.5	6.6
11.25° BEND	0.8	1.1	1.4	1.6	1.9	2.1	2.4	2.6	3.2	3.9	4.7
VALVE/TEE/PLUG	1.8	2.4	3.0	3.6	4.2	4.8	5.3	5.9	7.1	8.8	10.5

NOTE: ABOVE DIMENSIONS BASED ON THE FOLLOWING: 200 PSI WATER PRESSURE AND 2000 LB/SQFT SOIL BEARING CAPACITY (SOFT CLAY)

DATE: 3/1/14

CITY OF REIDSVILLE

STANDARD REACTION BEARING AREAS FOR
HORIZONTAL WATER PIPE BENDS

STD. NO.

REV.

106