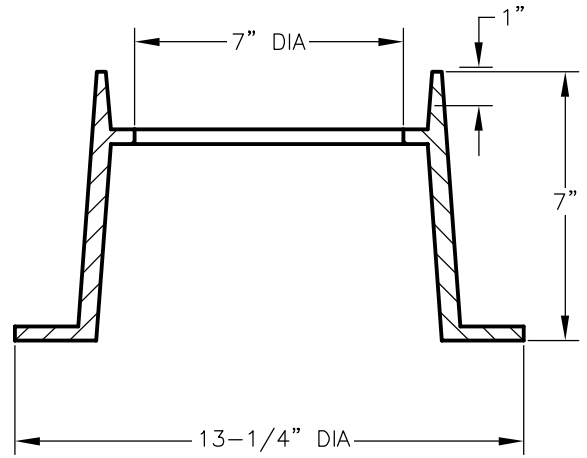
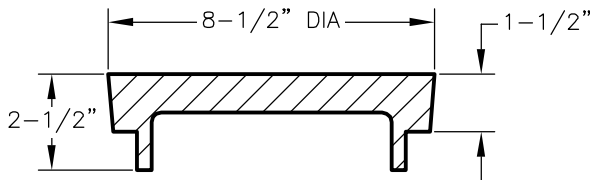


C/O TOP (TOP VIEW)



C/O BASE
(SECTION VIEW)



C/O TOP (SECTION VIEW)

GENERAL NOTES:

1. LOAD BEARING CLEAN-OUT TO BE INSTALLED IN LOAD BEARING AREAS AS DIRECTED BY THE DESIGN ENGINEER OR FIELD ENGINEER.
2. THE CLEAN-OUT ASSEMBLY IS TO BE SET A MIN. 1/2", NO GREATER THAN 4", FROM THE LOAD BEARING COVER.
3. THE DESIGN SHOULD BE A HEAVY DUTY TYPE, GRAY IRON (ASTM A48 CL35B), WITH A DIPPED COATING.
4. A 15"X15" CONCRETE PAD IS REQUIRED FOR THE BASE. THE CONCRETE PAD WILL NEED TO BE 9" THICK (GIVES 2" OF CONCRETE UNDERNEATH THE 7" TALL BASE).
5. ALL CASTINGS SHALL MEET THE REQUIRMENTS OF AASHTO M306.
6. THE CLEAN-OUT COVER AND COVER BASE SHALL BE HEAVY DUTY SUCH AS US FOUNDRY MODEL #7610 OR C.O.R. PRE-APPROVED EQUIVALENT.
7. CLEAN-OUT MAY BE REQUIRED TO BE "MADE IN U.S.A." IF FEDERAL FUNDS ARE INVOLVED.

DATE: 3/1/14

C I T Y O F R E I D S V I L L E

SEWER CLEANOUT (C/O) ASSEMBLY,
LOAD BEARING

STD. NO.

REV.

224