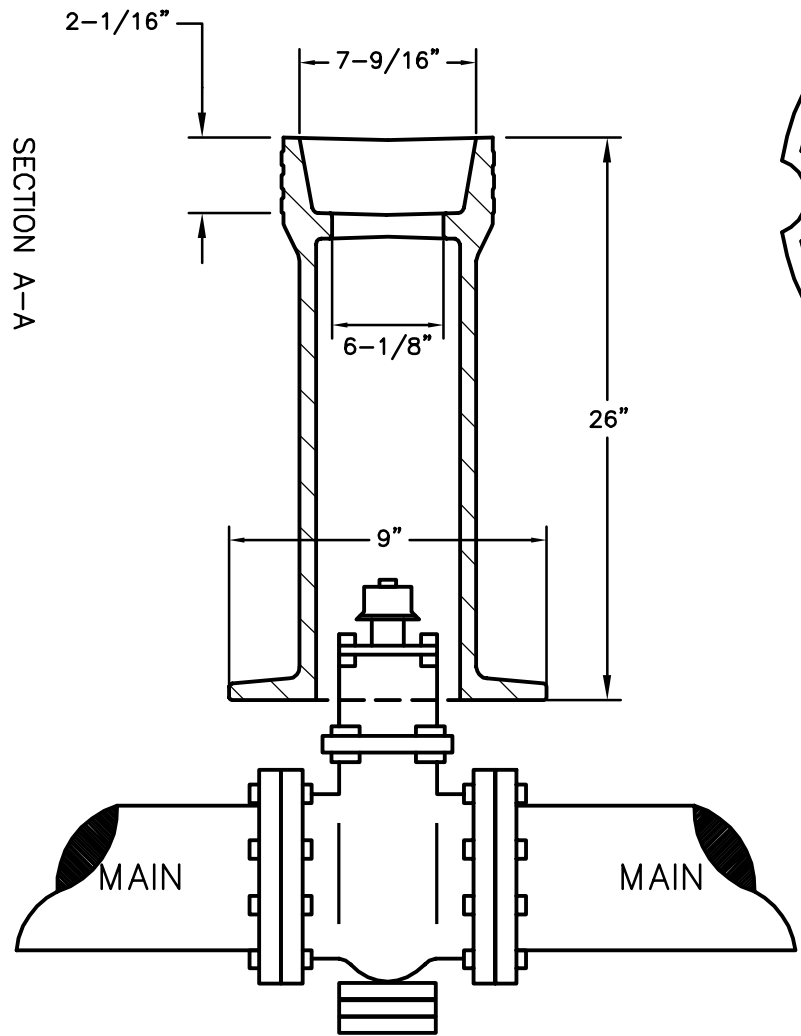


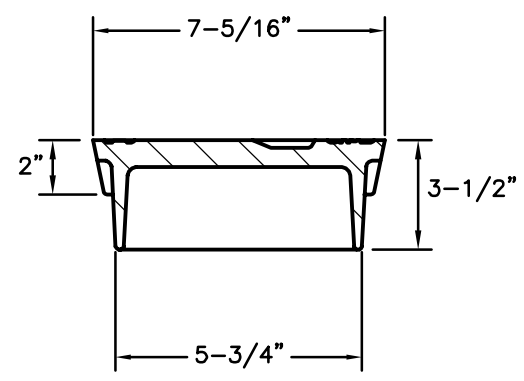
A ←



A ←
TOP VIEW



SECTION A-A VIEW OF VALVE BOX



SECTION VIEW OF VALVE BOX COVER

NOTES:

1. VALVE BOX EXTENSION SHALL BE 6" DIA. SOIL PIPE.
2. EXTENSION TO BE ONE SOLID PIECE OF PIPE UNLESS BURIAL DEPTH IS GREATER THAN STANDARD LENGTH OF PIPE.
3. TO BE USED IN PAVED OR NON-PAVED AREAS.
4. BOX SHALL BE AN EAST JORDAN IRON WORKS 8555 SERIES OR EQUAL CAST IRON VALVE BOX.

DATE: 3/1/14

C I T Y O F R E I D S V I L L E

WATER VALVE BOX AND EXTENSION

STD. NO.	REV.
102	